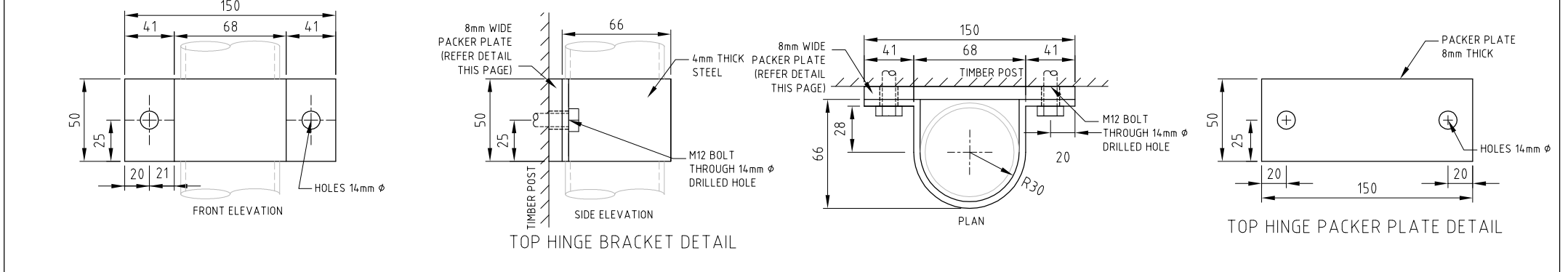


NOTES:

- ALL BRACKETS AND FITTINGS TO BE GALVANISED
- ALL WELDS TO BE 5mm FW WHERE SHOWN



VER	APPD.	DATE	AMENDMENT
0		APR 08	REVISED AND REISSUED

REFERENCES: CGG702

APPROVED: D Hannah
 Manager Engineering Services
 Date: April 2008



STANDARD DETAIL
SWING GATE ENTRY (DETAIL)

DRAWING No:
CGG703

AMENDMENT:
 0