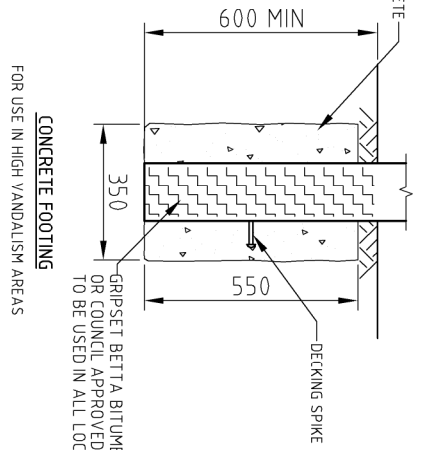
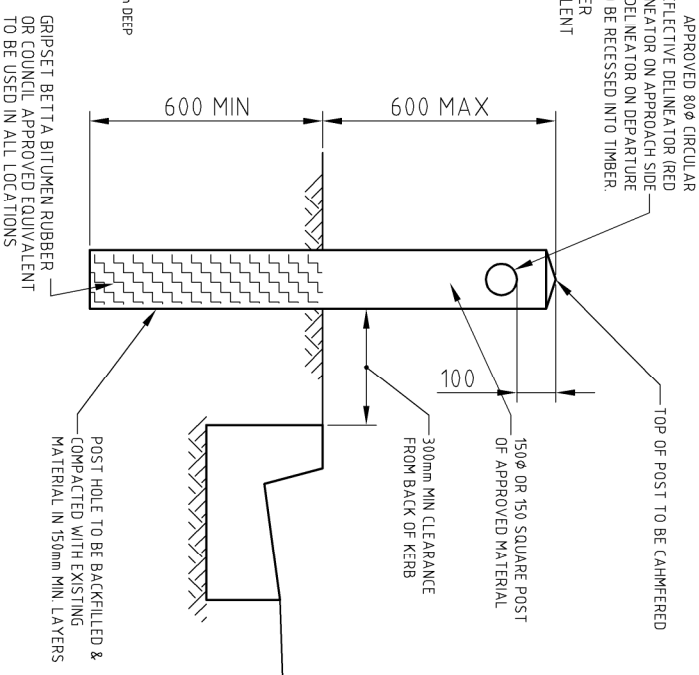


**RECREATION RESERVE**

APPROVED MATERIAL FOR  
TIMBER POST AS BELOW:  
- WHITE CYPRIUS HARVESTED  
FROM SUSTAINABLE FORESTS

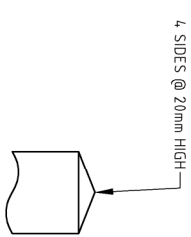


**ROAD RESERVE**



DECORATIVE ALTERNATIVE  
SQUARE BOLLARD  
TOP TREATMENT

**TYPICAL SECTION**  
NTS



**TOP OF POST DETAIL**

**REFERENCES**

VER	APPD	DATE	AMENDMENT
1		AUG 11	POST SEALANT ADDED CHAMFERED TOP ADDED
0		APR 08	REVISED AND REISSUED

APPROVED:  
**V Shelton**  
Manager Engineering Services  
Date: AUGUST 2017

**CITY OF GARDNER**  
**GEE LONG**  
DESIGN UNIT  
ENGINEERING SERVICES

STANDARD DETAIL  
**TIMBER BOLLARD**

DRAWING No.  
**CGG701**

AMENDMENT  
**1**