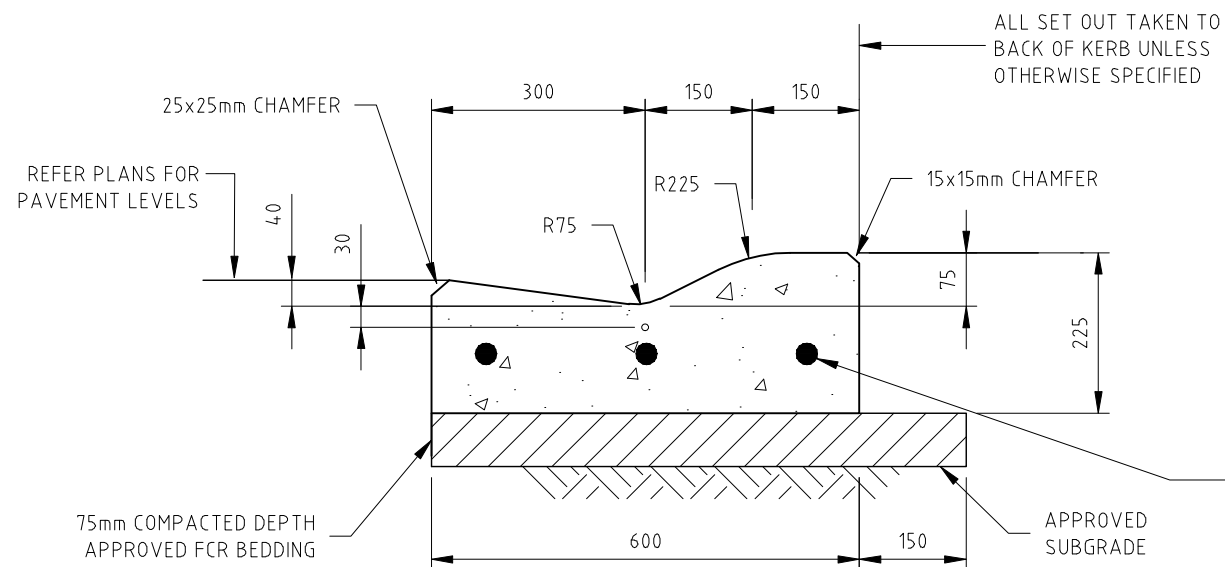


TYPICAL SECTION AT SIDE ENTRY PIT

SCALE 1:15

NOTE: REFER TO CONCRETE AS. 2876-2000
CONCRETE KERBS AND CHANNELS

ALL KERB & CHANNEL CONCRETE SHALL HAVE
A CEMENT CONTENT OF AT LEAST 320kg/m³.



TYPICAL SECTION

SCALE 1:15

NOTE:
STORM WATER DISCHARGE KERB ENTRY ADAPTORS NOT TO BE USED FOR
THIS KERB PROFILE.

INDUSTRIAL AREAS REQUIRE
3xN12 BARS @ 150MM CENTRES
FOR FULL LENGTH OF KERBING

VER	APPD.	DATE	AMENDMENT
1		OCT 08	CEMENT CONTENT ADDED
0		APR 08	REVISED AND REISSUED

REFERENCES: CGG311

APPROVED:
D Hannah
Manager Engineering Services
Date: April 2008



STANDARD DETAIL
**'FM4' FULLY MOUNTABLE KERB & CHANNEL
& SIDE ENTRY PIT DETAIL FOR 'FM4'**

DRAWING No:
CGG412

AMENDMENT:
1